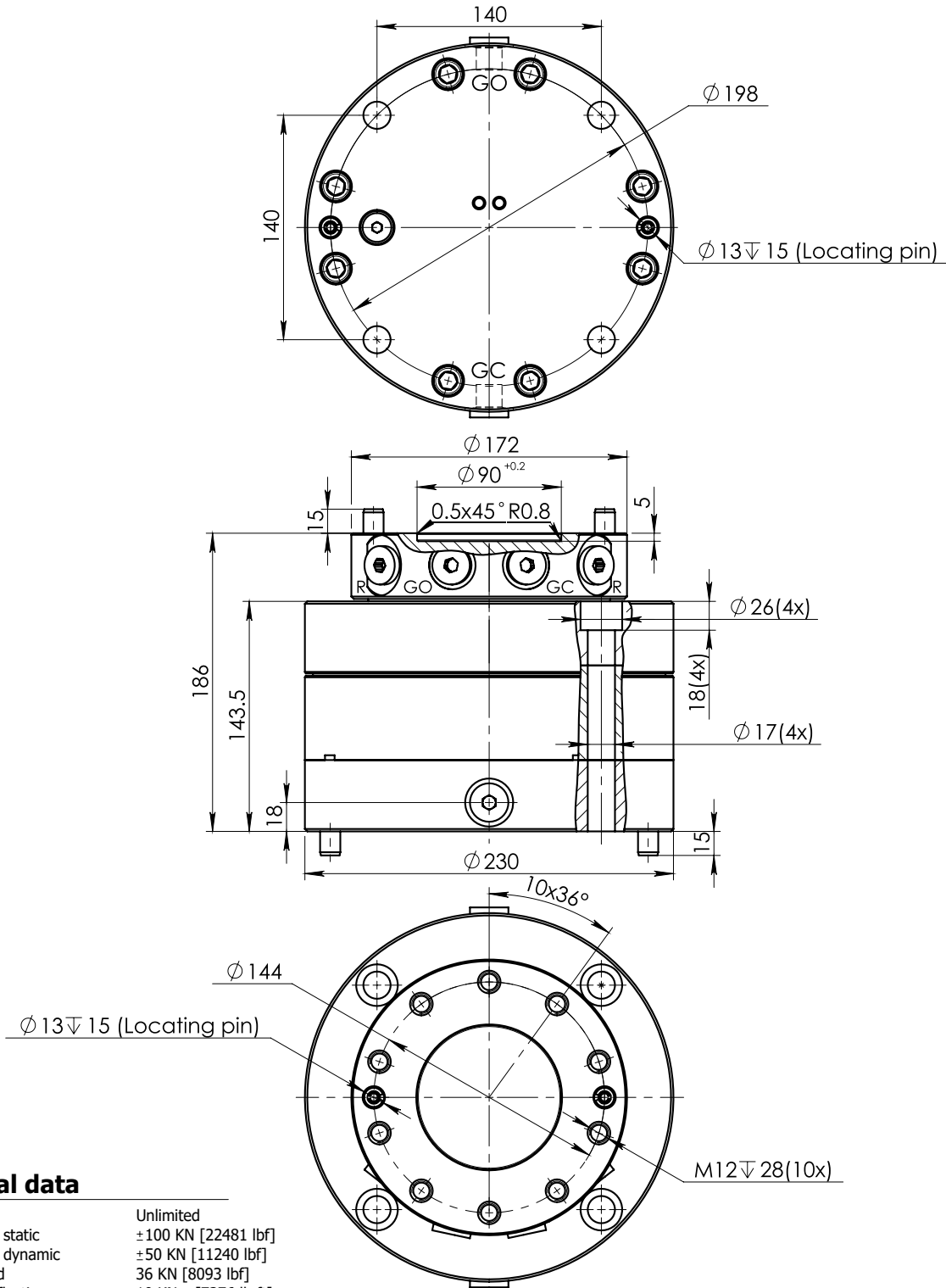


INDUSTRIAL ROTATOR CPR5



Technical data

Rotation	Unlimited
Max axial load static	±100 KN [22481 lbf]
Max axial load dynamic	±50 KN [11240 lbf]
Max radial load	36 KN [8093 lbf]
Moment of deflection	10 KNm [7376 lb ft]
Torque at 25 Mpa	1350 Nm [996 lb ft]
Rated displacement	354 cm ³ /rev. [21.6 in ³ /rev.]
Rotation speed	max 30 rpm
Oil duct area for grapple	95 mm ² [0.147 in ²]
Weight	46 kg [101 lb]

Function	Max working pressure	Rec oilflow	Connection
R - rotation	25 MPa [3625 psi] *	15 l/min [4.0 gal(US)/min]	M 18x1.5
GO - grapple/tool open	35 MPa [5076 psi]		M 18x1.5
GC - grapple/tool close	35 MPa [5076 psi]		M 18x1.5

* Relief valves fitted

Max axial load static indicate theoretical max load for hanging applications without accelerations.